

G+T

Jan Van Lierde



SO



AP



BATTERY



READING



Innovativa lampada da lettura, nasce dall'idea di un prodotto trasportabile e lussuoso per rispondere a specifiche esigenze di spazio ed installazione, rendendola adatta ad ambienti con caratteristiche particolari, quali yachts e superyachts, edifici storici, esclusive boutiques. La testa riprende il design del dosatore per i cocktails (G+T sta per Gin & Tonic), il braccio flessibile è in ottone ricoperto da cuoio intrecciato. Disponibile nella versione a batteria, con attacco magnetico ed in quella cablata a parete. La versione a batteria è ricaricabile attraverso la porta USB tipo C (che nella versione cablata viene utilizzata per la ricarica dello smartphone o dei tablets). Il comando (a tre livelli di intensità) è comodamente posizionato sulla testa. La versione a batteria è corredata dai seguenti accessori: staffa a fissaggio a parete, staffa per fissaggio al tavolo e tasca in pelle con contrappeso per bracciolo poltrona/divano. Ora disponibile anche nella versione reading e so.

An innovative reading lamp, born from the idea of a portable and luxurious product to meet specific space and installation needs; this makes it suitable for contexts such as yachts and superyachts, historic buildings, or exclusive boutique stores. The head recalls a cocktail jigger (as the name G+T, or gin & tonic, suggests), and the arm is in brass covered with braided leather. Available in the battery version with a magnetic connection, or wall-mounted. The battery-powered model is rechargeable via the USB Type-C port (which in the wired version is used for charging smartphones or tablets). The control (with three intensity levels) is conveniently positioned on the head. The battery-powered version comes with the following accessories: a wall-mounted bracket, a bracket for table fixing, and a leather pocket with counterweight for an armchair/sofa armrest. Now also available in the reading and so version.

SPECIFICHE PRODOTTO / PRODUCT SPECIFICS

p.2

G+T SO

p.4

G+T AP

p.5

G+T AP - USA

p.6

G+T BATTERY

p.7

FISSAGGIO DA TAVOLO / TABLE FIXING ACCESSORY

p.8

FISSAGGIO A PARETE / WALL FIXING ACCESSORY

p.9

FISSAGGIO PER SEDUTE E IMBOTTITI / SEATS & SOFA FIXING ACCESSORY

p.10

G+T READING

P.11

BASE / BASE



Bronzo rame lucido
Polished copper bronze



Nickel lucido
Polished nickel



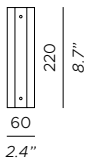
Laccato nero seta opaco
(G+T so & reading)
Matt black silk lacquered
(G+T so & reading)

STRUTTURA / FRAME

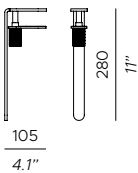


Cuoio intrecciato marrone
testa di moro
Dark brown braided leather

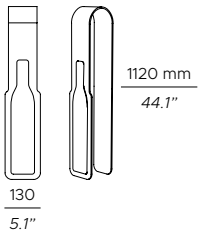
FISSAGGI PER VERSIONE BATTERIA / *FIXINGS FOR BATTERY VERSION*



Fissaggio a parete
- PVD bronzo rame lucido
- PVD nickel lucido
Table fixing accessory
- *PVD polished copper bronze*
- *PVD polished nickel*



Fissaggio da tavolo
- Pelle marrone testa di moro
Table fixing accessory
- *Dark brown leather*



Fissaggio per sedute e imbottiti
- Pelle marrone testa di moro
Seats & sofa fixing accessory
- *Dark brown leather*

FONTE LUMINOSA / LIGHT SOURCE**220-240V**

LED module

AP / BATTERY

1 X 3W

LED module

Emissione / Light emission: 500 Lm

3.000 K; CRI: >90

IP20

Comando a 3 livelli su testa
(100% - 70% - 30%)*3-level control on the head
(100% - 70% - 30%)***SO / READING**

1 X 3W

LED module

Emissione / Light emission: 500 Lm

2.700 K; CRI: >90

IP20

**VERSIONE BATTERIA
BATTERY VERSION**

Autonomia: 8 ore

Cicli di vita: 600

Tempi di ricarica: circa 4 ore

Cavetto di ricarica USB tipo C fornito,
alimentatore non fornito*Autonomy: 8 hours
Lifestyle cycles: 600
Charging time: 5/6 hours
USB cable type C supplied,
charger adapter not supplied***110V**

LED module

AP / BATTERY

1 X 3W

LED module

Light emission: 500 Lm

3.000 K; CRI: >90

IP20

3-level control on the head
(100% - 70% - 30%)**SO / READING**

1 X 3W

LED module

Light emission: 500 Lm

2.700 K; CRI: >90

IP20

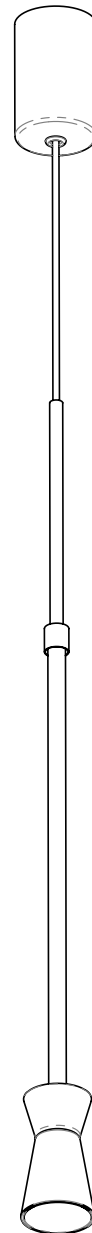
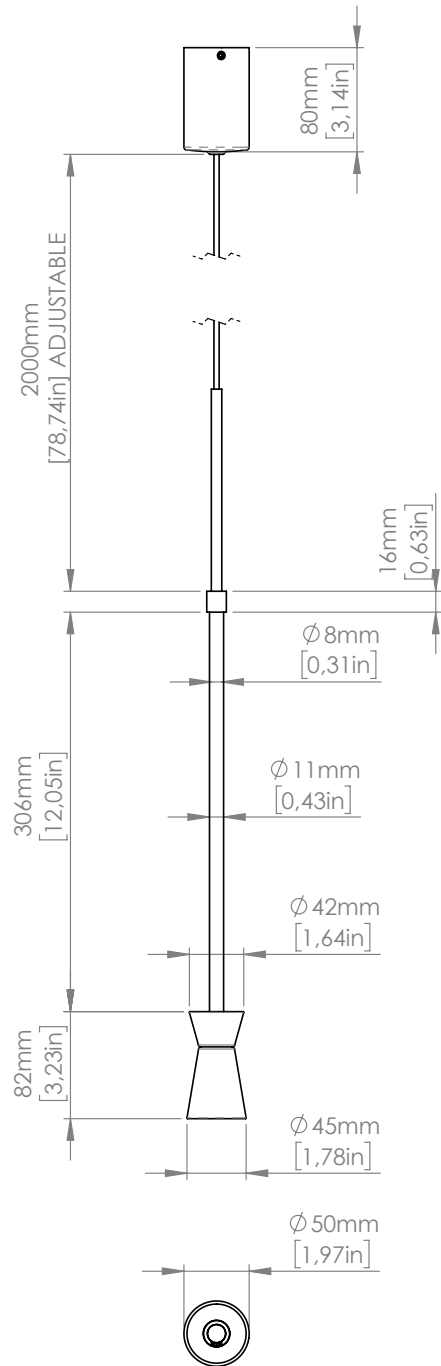
BATTERY VERSION

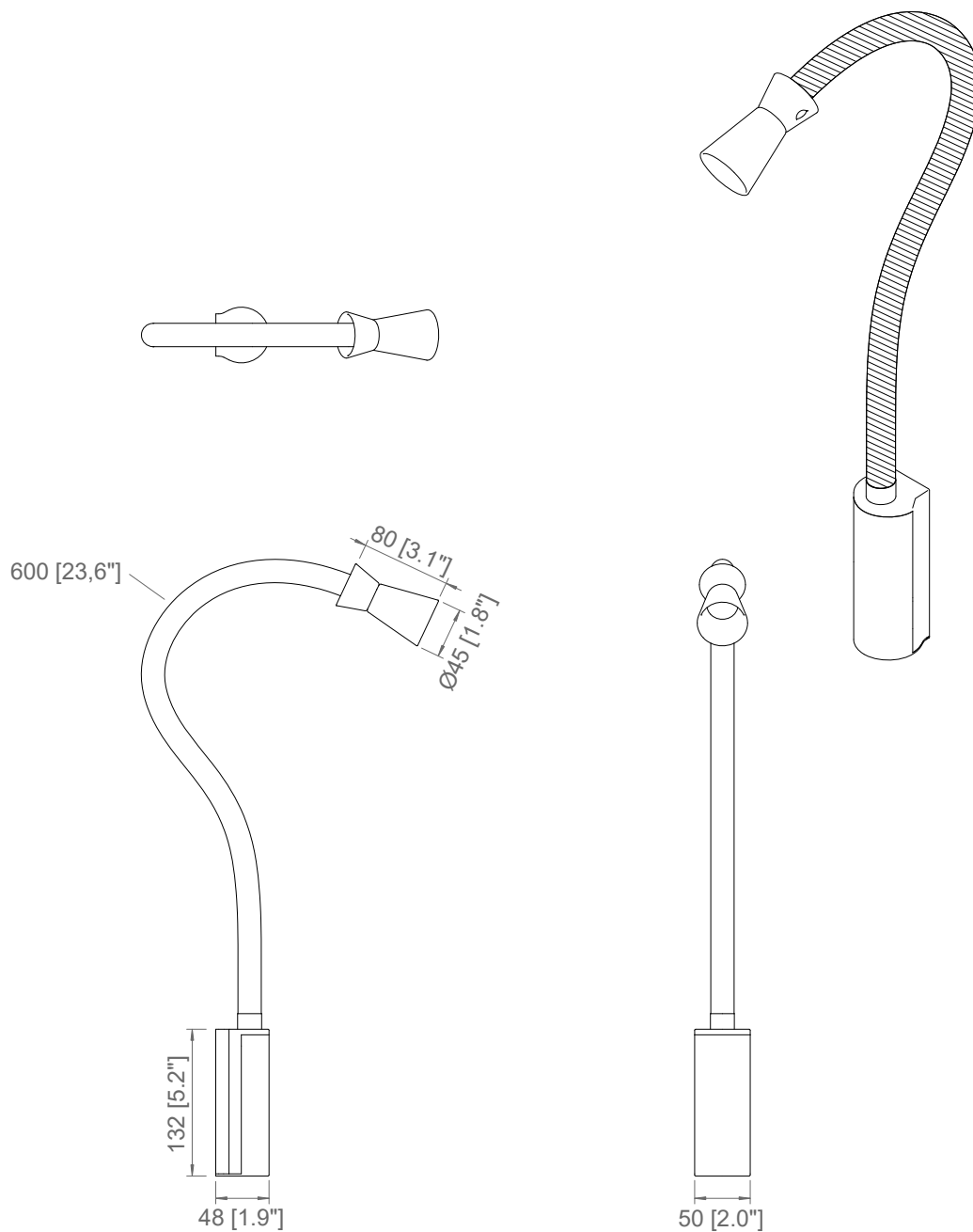
Autonomy: 8 hours

Lifestyle cycles: 600

Charging time: 5/6 hours

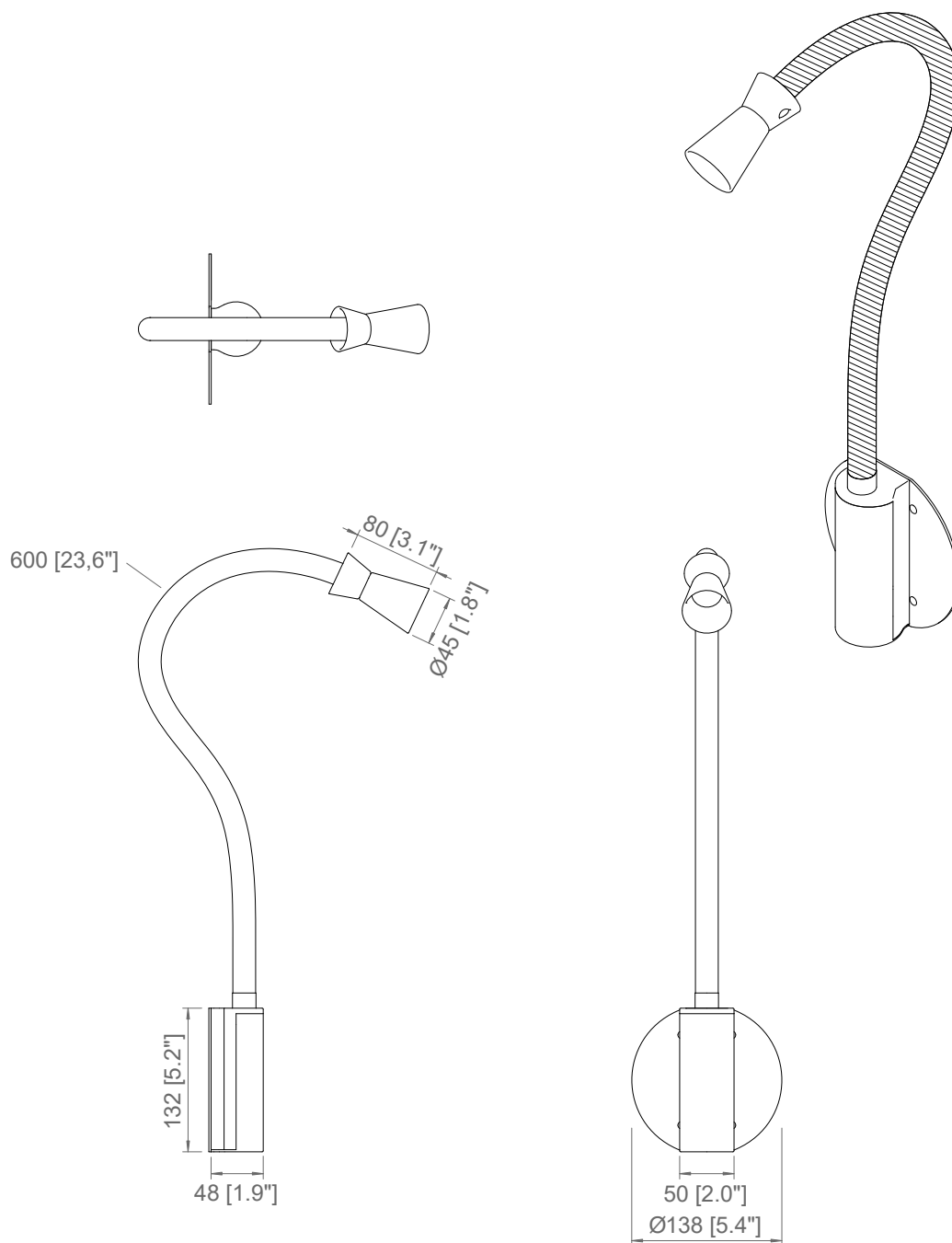
USB cable type C supplied,
charger adapter not supplied





PRODOTTO / PRODUCT IMBALLI / PACKAGING

<p>Peso-Weight 1 kg / 2.2 lbs</p>	<p>Box 1 L: 780 mm / 30.7" P-W: 140 mm / 5.5" H: 80 mm / 3.1" Peso-weight: 1 kg / 2.2 lbs</p>
--	--


PRODOTTO / PRODUCT **IMBALLI / PACKAGING**
Peso-Weight

1 kg / 2.2 lbs

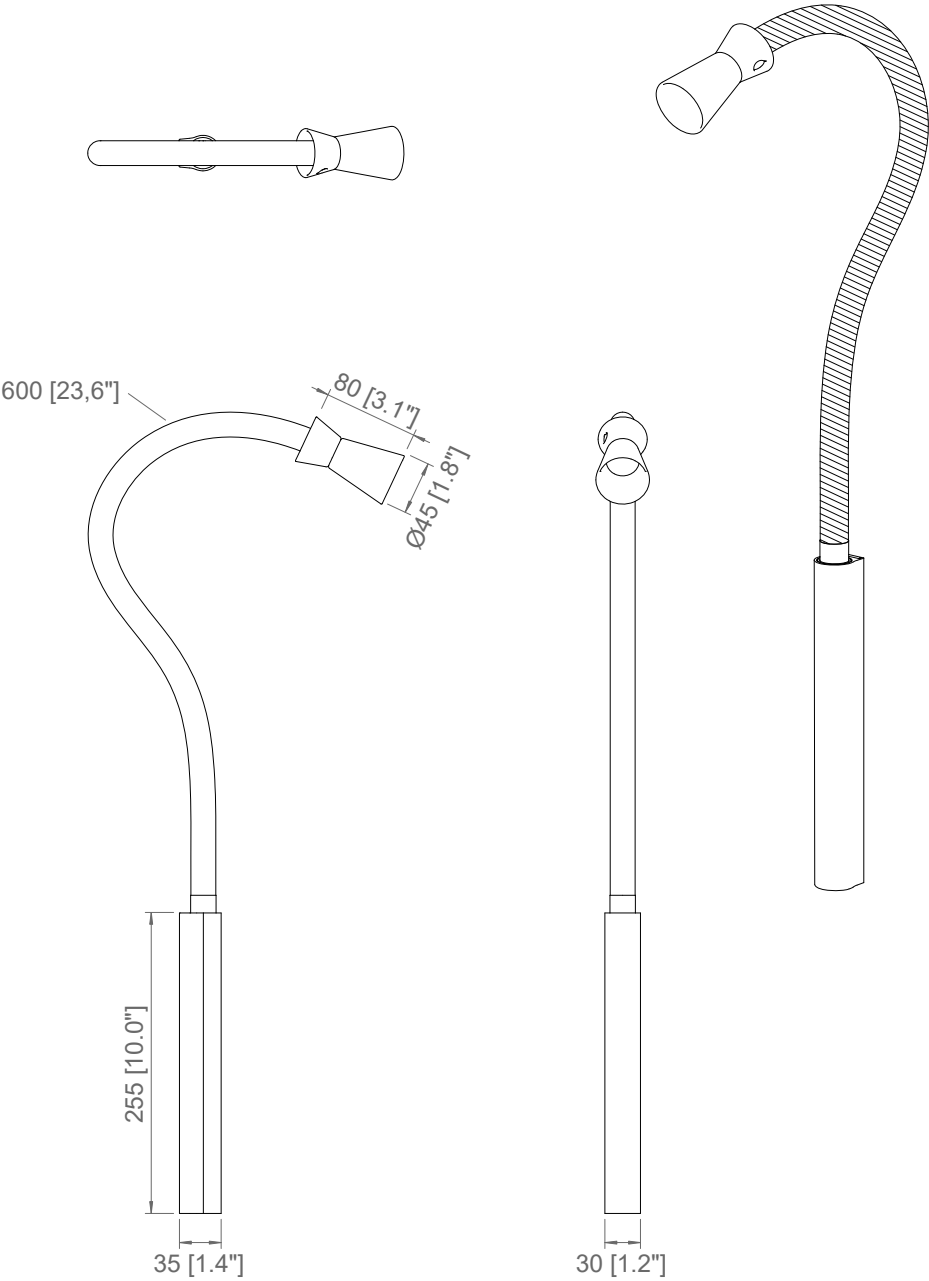
Box 1

L: 780 mm / 30.7"

P-W: 140 mm / 5.5"

H: 80 mm / 3.1"

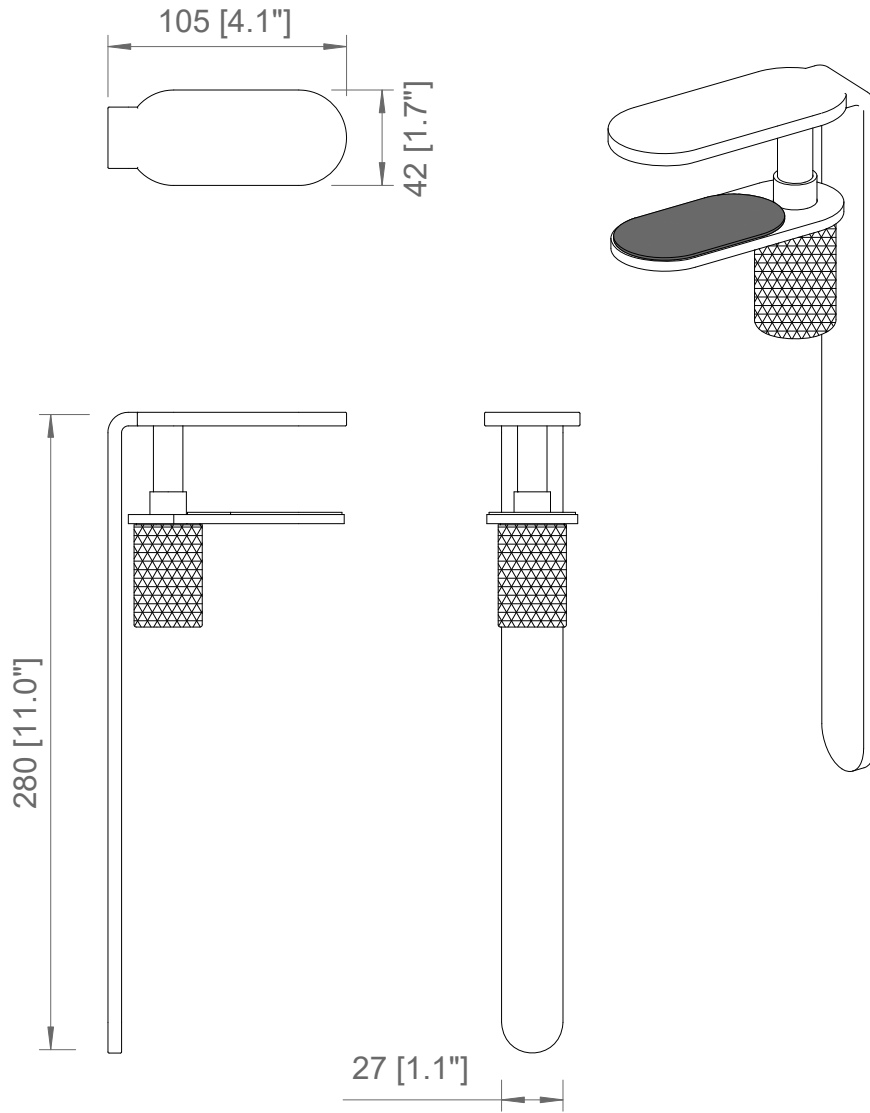
Peso-weight: 1 kg / 2.2 lbs

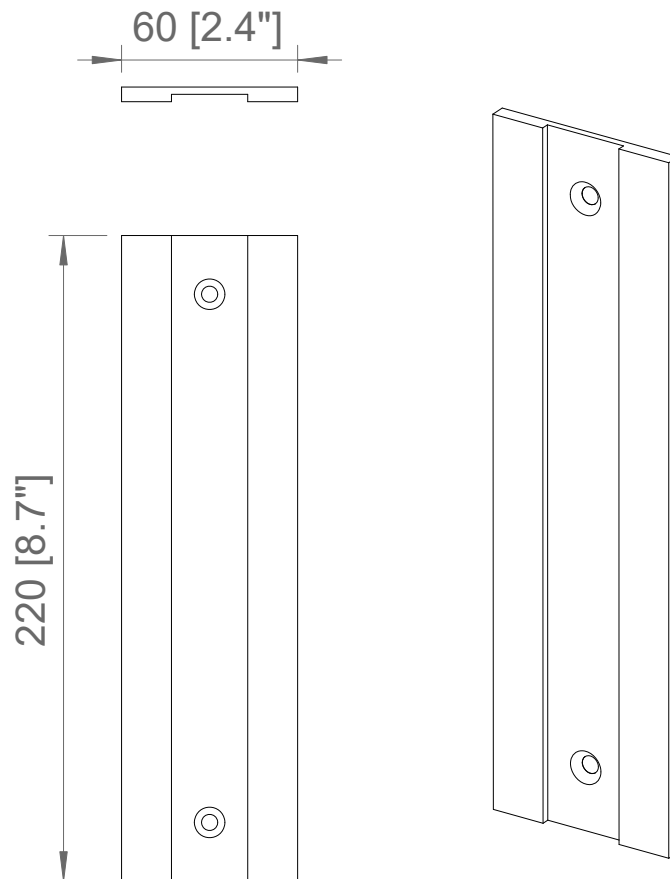


PRODOTTO / PRODUCT IMBALLI / PACKAGING

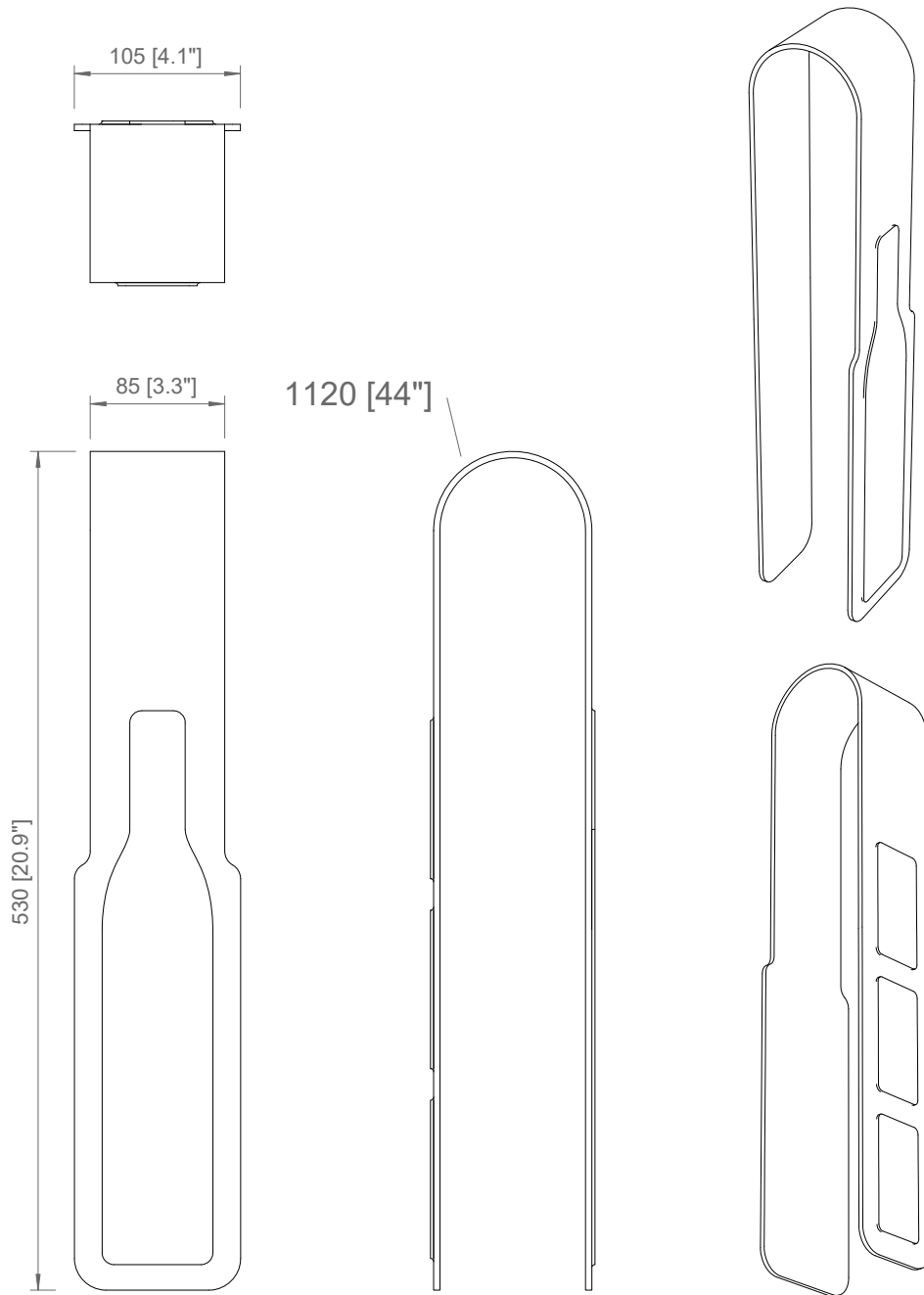
Peso-Weight
1 kg / 2.2 lbs

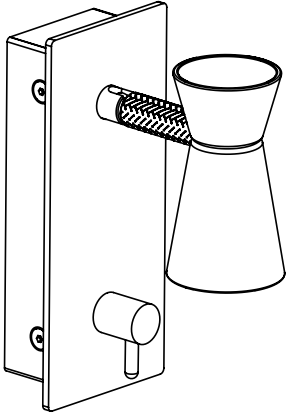
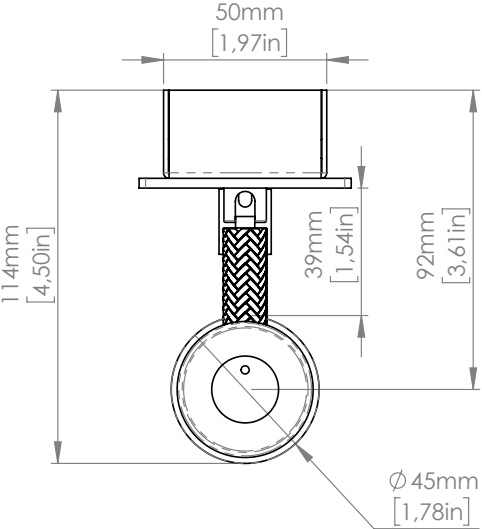
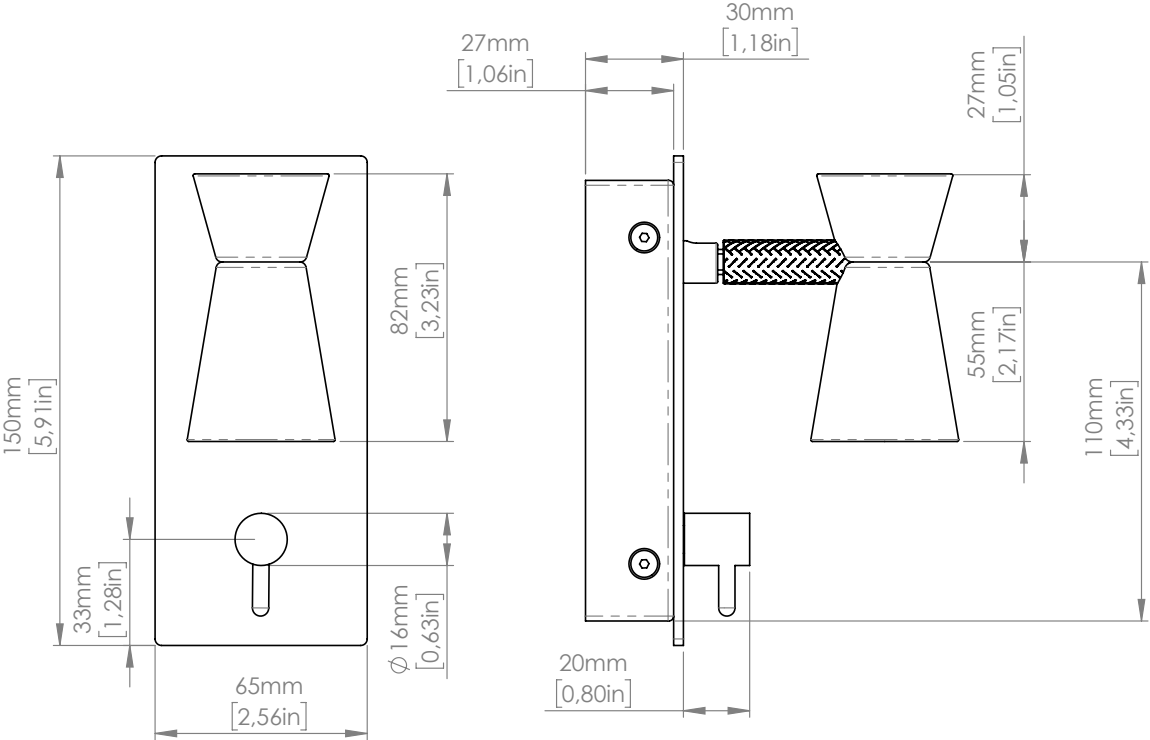
Box 1
L: 1080 mm / 42.5"
P-W: 140 mm / 5.5"
H: 80 mm / 3.1"
Peso-weight: 1 kg / 2.2 lbs





G+T BATTERY / FISSAGGIO IN PELLE PER SEDUTE E IMBOTTITI
LEATHER COVERED SOFA HANGING ACCESSORY





Copyright and/or design rights subsist in this drawing. No part of this drawing may be reproduced in any material form (including photocopying or storing in any medium electronic means, whether or not intentionally and whether or not as part or a larger publication) without the express permission of the copyright owner, Contardi Lighting S.r.l.. Further and without prejudice to the above, this drawing and all information relating thereto is confidential, and shall not be communicated to a third party without the consent of Contardi lighting srl. Contardi lighting srl asserts all rights to be identified as the author of the work and otherwise.

WARNING: The doing of any unauthorised act in relation to a copyright work may result in both a civil claim for damages and criminal prosecution.

CONTARDI LIGHTING Srl

ITALY HEADQUARTERS

www.contardi-italia.com / sales@contardi-italia.it

CONTARDI USA Inc

USA BRANCH

www.contardi-usa.com / sales@contardi-usa.com

